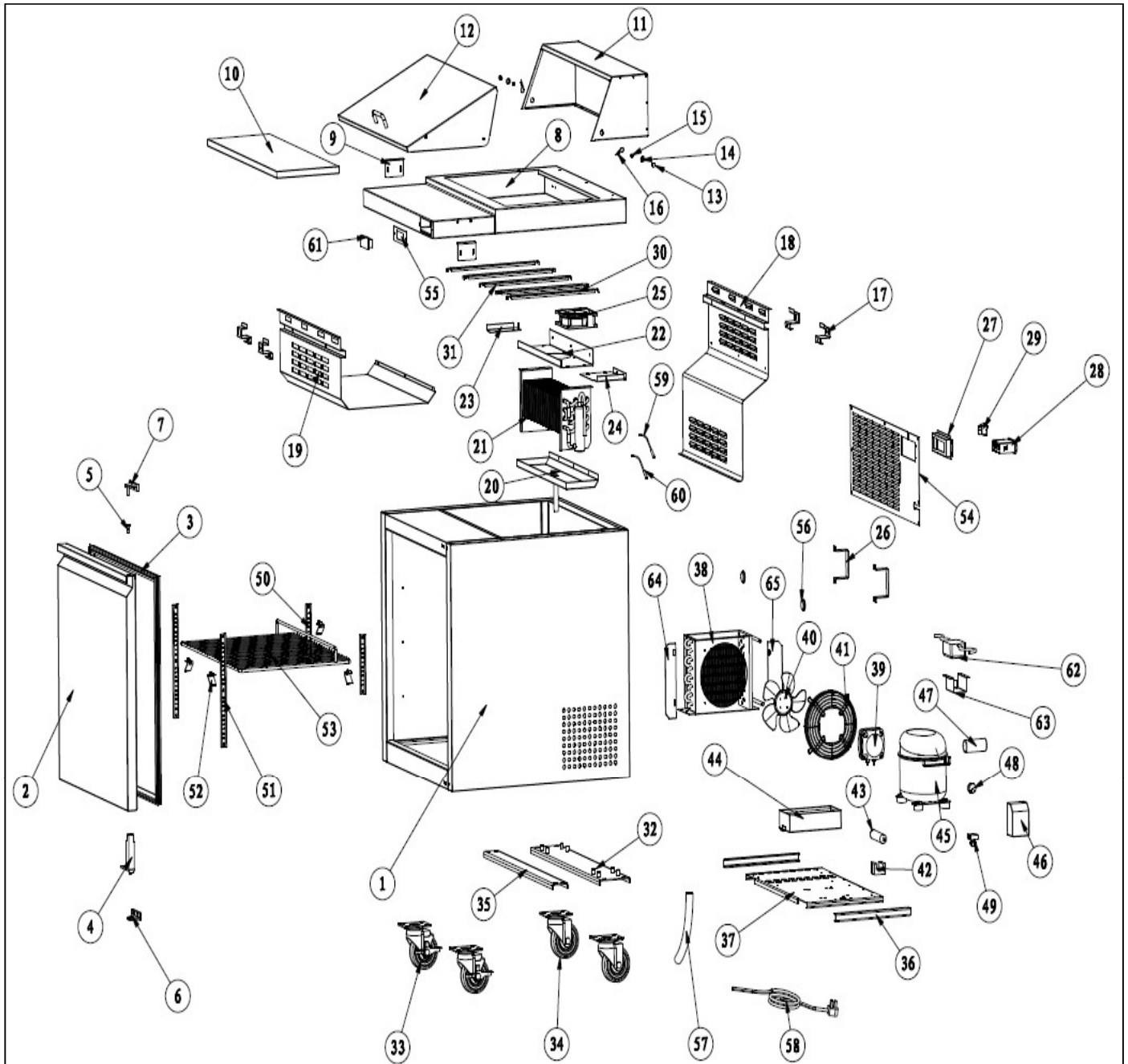
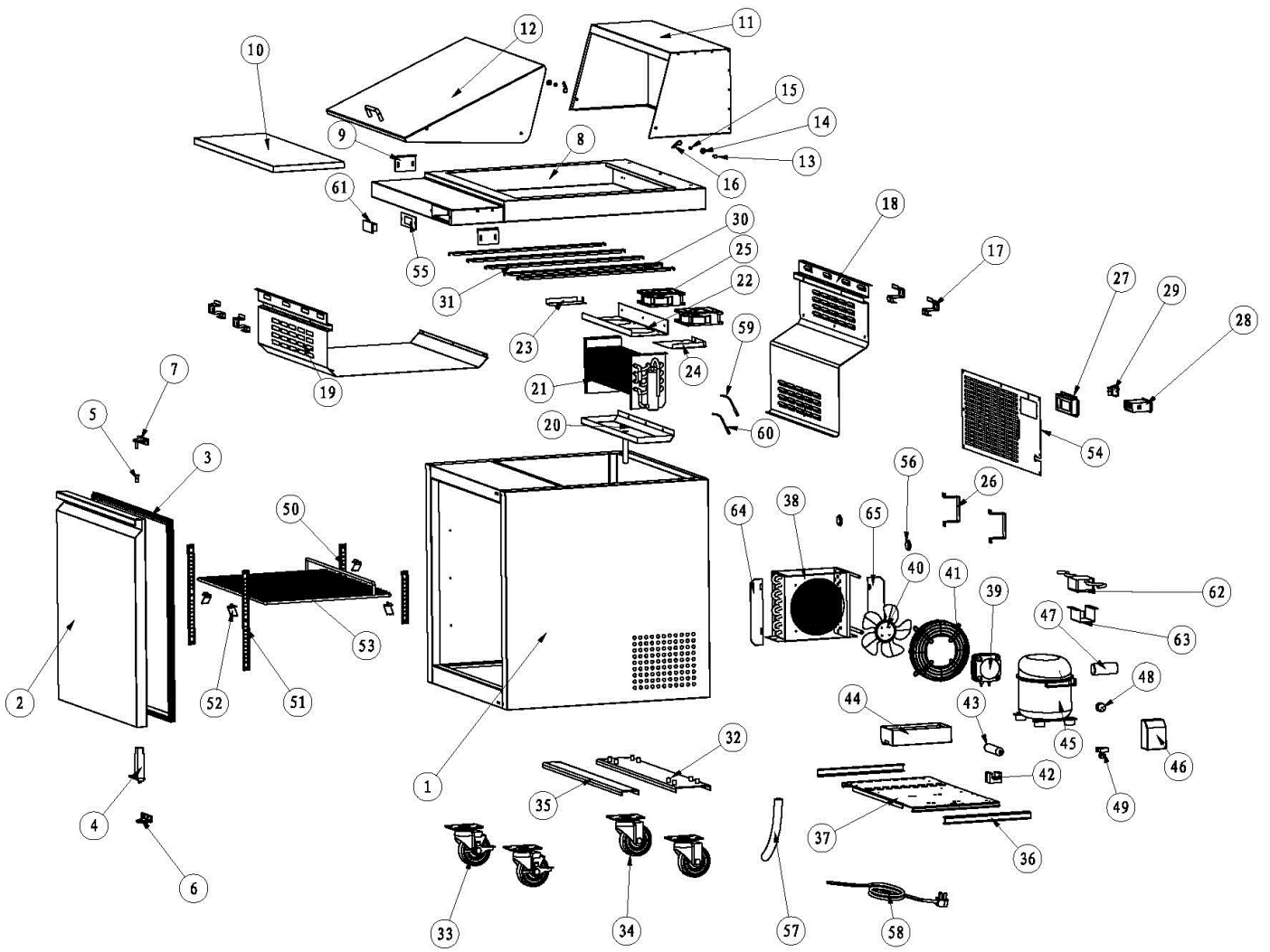


# KCST27.8/738016



# KCMT70.27/738020

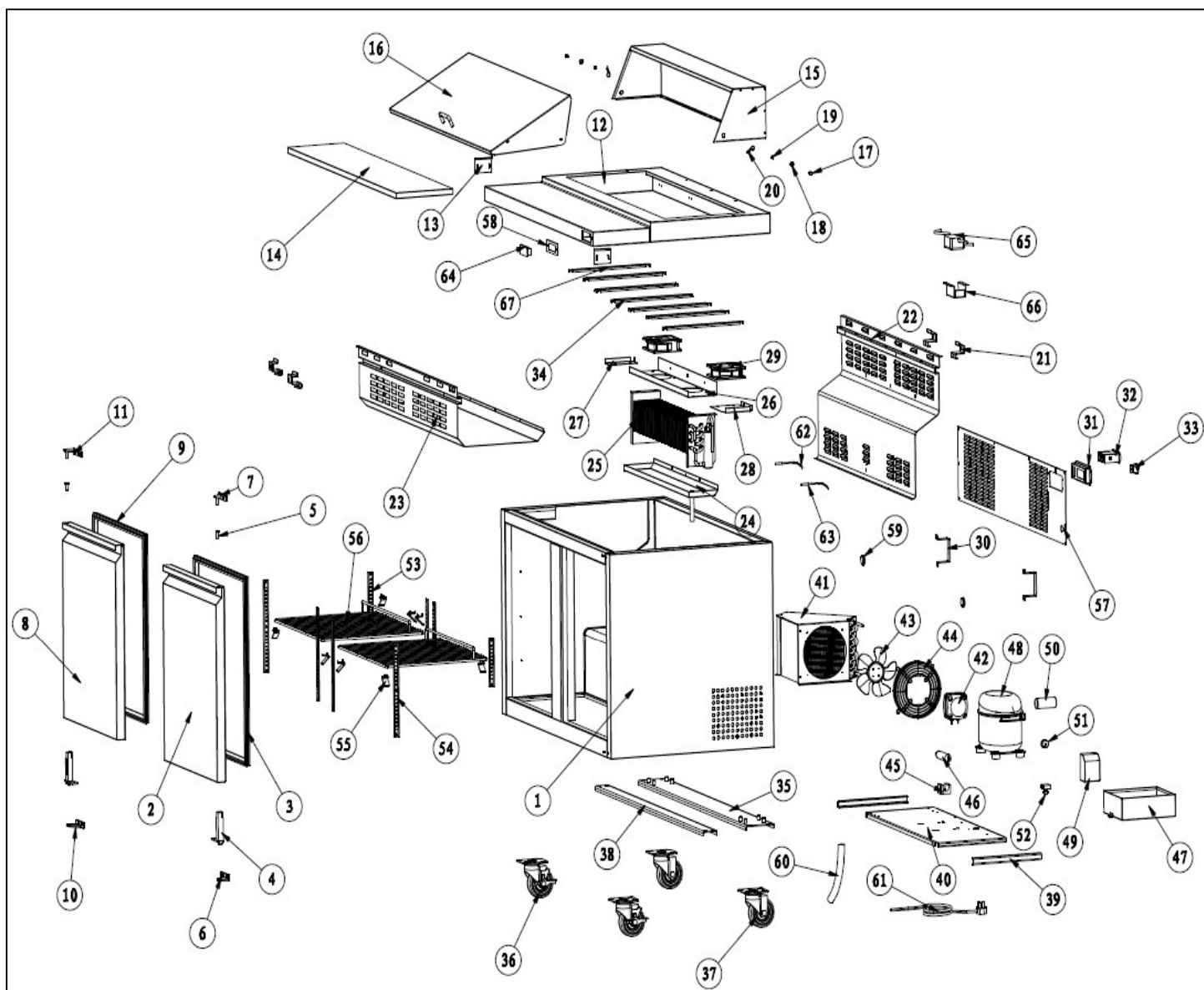


## KCST27.8/738016 KCMT27.12/738020 PARTS LIST

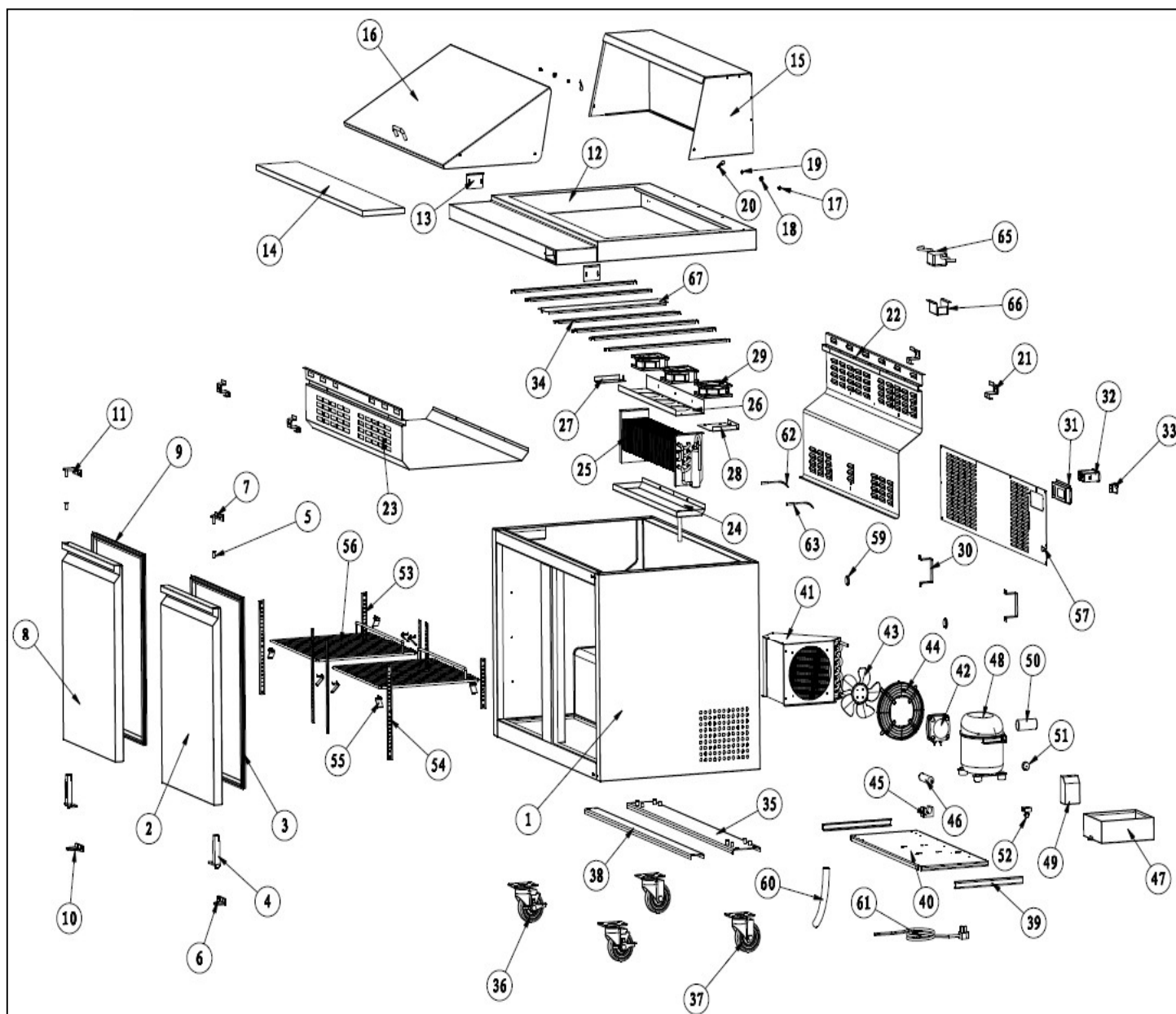
| NO. | Part English Name             | Amounts | Factory Parts NO. |               | ELECTROLUX PART NO.(OLD) |               | ELECTROLUX PART NO.(NEW) |               |  |  |
|-----|-------------------------------|---------|-------------------|---------------|--------------------------|---------------|--------------------------|---------------|--|--|
|     |                               |         | KCST<br>27.8      | KCMT<br>27.12 | KCST<br>27.8             | KCMT<br>27.12 | KCST27.8                 | KCMT<br>27.12 |  |  |
| 1   | CABINET                       | 1       | N/A               |               | N/A                      |               | N/A                      |               |  |  |
| 2   | DOOR                          | 1       | S101              |               | 5304486389               |               |                          |               |  |  |
| 3   | GASKET                        | 1       | S102              |               | 5304486390               |               |                          |               |  |  |
| 4   | SPRING HINGE                  | 1       | CFD1RR-06         |               | 5304486388               |               |                          |               |  |  |
| 5   | HINGE AXIS                    | 2       | 27R03             |               |                          |               |                          |               |  |  |
| 6   | BOTTOM RIGHT HINGE            | 1       | 27R04             |               | 5304486387               |               |                          |               |  |  |
| 7   | UPPER RIGHT HINGE             | 1       | 27R05             |               | 5304486365               |               |                          |               |  |  |
| 8   | TOP BOARD                     | 1       | N/A               |               | N/A                      |               | N/A                      |               |  |  |
| 9   | FIXER FOR CUTTING BOARD       | 2       | P106              |               |                          |               |                          |               |  |  |
| 10  | CUTTING BOARD                 | 1       | S103              | M101          |                          |               |                          |               |  |  |
| 11  | BACK COVER                    | 1       | S104              | M102          | N/A                      |               | N/A                      |               |  |  |
| 12  | LID                           | 1       | S105              | M103          | 5304486370               | 5304486391    |                          |               |  |  |
| 13  | DOWEL                         | 2       | S106              |               |                          |               |                          |               |  |  |
| 14  | PLASTIC BOLT                  | 2       |                   |               |                          |               |                          |               |  |  |
| 15  | NUT                           | 2       |                   |               |                          |               |                          |               |  |  |
| 16  | SPLIT PIN                     | 2       |                   |               |                          |               |                          |               |  |  |
| 17  | AIR DUCT SUPPORT              | 4       | S107              |               |                          |               |                          |               |  |  |
| 18  | EVAPORATOR COVER              | 1       | S108              |               |                          |               |                          |               |  |  |
| 19  | AIR RETURN COVER              | 1       | S109              | M104          |                          |               |                          |               |  |  |
| 20  | INNER DRAIN PAN               | 1       | 27R12             |               | 5304486385               |               |                          |               |  |  |
| 21  | EVAPORATOR                    | 1       | S110              |               | 5304486386               |               |                          |               |  |  |
| 22  | FAN MOTOR INSTALLATION PANEL  | 1       | S111              | M105          | 5304486376               | 5304486376    |                          |               |  |  |
| 23  | LEFT CLAPBOARD OF EVAPORATOR  | 1       | S112              | M106          |                          |               |                          |               |  |  |
| 24  | RIGHT CLAPBOARD OF EVAPORATOR | 1       | S113              | M107          |                          |               |                          |               |  |  |
| 25  | EVAPORATOR FAN MOTOR          | 1&2     | CFD1RR-23         |               | 5304486375               |               |                          |               |  |  |
| 26  | STAND OFF BRACKET             | 2       | 27R10             |               |                          |               |                          |               |  |  |
| 27  | THERMOSTAT INSTALLATION       | 1       | 27R09             |               |                          |               |                          |               |  |  |
| 28  | THERMOSTAT                    | 1       | CFD1RR-24         |               | 5304486371               |               |                          |               |  |  |
| 29  | POWER SWITCH                  | 1       | CFD1RR-25         |               |                          |               |                          |               |  |  |
| 30  | PAN BRACKET-15mm              | 2       | S114              | M108          |                          |               |                          |               |  |  |
| 31  | PAN BRACKET-25mm              | 3       | S115              | M109          |                          |               |                          |               |  |  |
| 32  | CASTOR SUPPORT                | 1       | S116              |               |                          |               |                          |               |  |  |
| 33  | 4" CASTOR WITH BRAKE          | 2       | CFD1RR-32         |               | 5304486088               |               |                          |               |  |  |

|    |  |   |              |            |  |  |
|----|--|---|--------------|------------|--|--|
| 34 | 4" CASTOR  | 2 | CFD1RR-33    | 5304486088 |  |  |
| 35 | INSTALLATION BOARD SU                            | 1 | S117         |            |  |  |
| 36 | COMPRESSOR UNIT TRA                              | 2 | 27R11        | 5304486383 |  |  |
| 37 | COMPRESSOR UNIT<br>INSTALLATION BOARD            | 1 | 27R15        | 5304486384 |  |  |
| 38 | CONDENSER  | 1 | 25838        | 5304486379 |  |  |
| 39 | CONDENSER FAN MOTO                               | 1 | 25832        | 5304486377 |  |  |
| 40 | CONDENSER FAN<br>MOTOR BLADE                     | 1 | 25837        | 5304486380 |  |  |
| 41 | CONDENSER FAN COVER                              | 1 | 25833        | 5304486381 |  |  |
| 42 | FILTER FIXER                                     | 1 | CFD1RR-44    |            |  |  |
| 43 | FILTER   | 1 | 25834        | 5304486382 |  |  |
| 44 | OUTER DRAIN PAN                                  | 1 | 27R16        | 5304486378 |  |  |
| 45 | COMPRESSOR                                       | 1 | CFD1RR-47    | 5304486374 |  |  |
| 46 | SPLICE BOX                                       | 1 | CFD1RR-47-01 |            |  |  |
| 47 | START CAPACITOR                                  | 1 |              |            |  |  |
| 48 | OVERLOAD PROTECTOR                               | 1 |              |            |  |  |
| 49 | STARTER  | 1 |              |            |  |  |
| 50 | K STRIP-2 HOLES                                  | 2 | 27R20        | 5304486367 |  |  |
| 51 | K STRIP-3 HOLES                                  | 2 | 27R19        | 5304486367 |  |  |
| 52 | K CLIP   | 4 | 25819        | 5304486366 |  |  |
| 53 | SHELF  | 1 | S118         | 5304486368 |  |  |
| 54 | BACK GRILL                                       | 1 | S119         | 5304486369 |  |  |
| 55 | FAHRENHEIT TEMP<br>DISPLAY INSTALLATION<br>BOARD | 1 | 27R27        |            |  |  |
| 56 | FOAMING HOLE COVER                               | 2 | CFD1RR-35    |            |  |  |
| 57 | DRAIN TUBE(Φ16mm)                                | 1 | P135         |            |  |  |
| 58 | POWER CORD                                       | 1 | 25829        |            |  |  |
| 59 | TEMPERATURE<br>SENSOR 1<br>(THERMOSTAT)          | 1 | CFD1RR-48    |            |  |  |
| 60 | TEMPERATURE<br>SENSOR 2(FAHRENHEIT<br>TEMP DISP) | 1 | 27R26        |            |  |  |
| 61 | FAHRENHEIT TEMP DISP                             | 1 | 25812        |            |  |  |
| 62 | TRANSFORMER FOR<br>FAHRENHEIT TEMP<br>DISPLAY    | 1 | 25807        |            |  |  |
| 63 | TRANSFORMER HOLDER                               | 1 | 27R29        |            |  |  |
| 64 | AIR SHEILD BOARD 1                               | 1 | 27R24        |            |  |  |
| 65 | AIR SHEILD BOARD 2                               | 1 | 27R25        |            |  |  |
| 66 | THERMOMETER                                      | 1 | S120         |            |  |  |

# KCST48.12/738017



# KCST48.18/738021



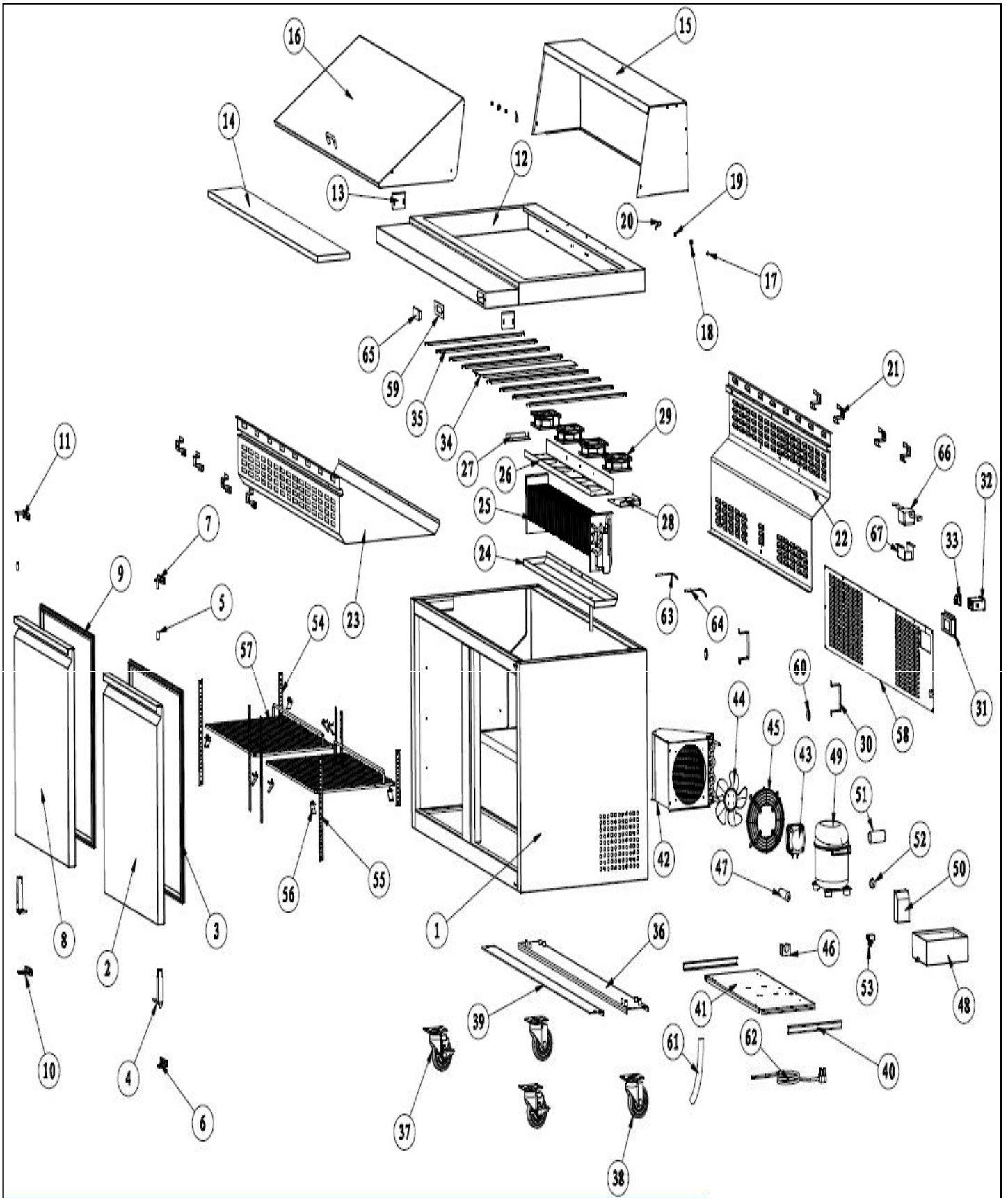
## KCST48.12/738017 KCMT48.18/738021 PARTS LIST

| NO. | Part English Name                  | Amounts | Factory Parts NO. |           | ELECTROLUX PART NO. |            |  |  |
|-----|------------------------------------|---------|-------------------|-----------|---------------------|------------|--|--|
|     |                                    |         | KCST48.12         | KCMT48.12 | KCST48.12           | KCMT48.12  |  |  |
| 1   | CABINET                            | 1       | N/A               |           | N/A                 |            |  |  |
| 2   | RIGHT DOOR                         | 1       | S201              |           | 5304486525          |            |  |  |
| 3   | GASKET                             | 2       | S202              |           | 5304486531          |            |  |  |
| 4   | SPRING HINGE                       | 2       | CFD1RR-06         |           | 5304486388          |            |  |  |
| 5   | HINGE AXIS                         | 4       | 27R03             |           |                     |            |  |  |
| 6   | BOTTOM RIGHT HINGE                 | 1       | 27R04             |           | 5304486387          |            |  |  |
| 7   | UPPER RIGHT HINGE                  | 1       | 27R05             |           | 5304486365          |            |  |  |
| 8   | LEFT DOOR                          | 1       | S203              |           | 5304486528          |            |  |  |
| 9   | GASKET                             | 2       | S202              |           | 5304486531          |            |  |  |
| 10  | BOTTOM LEFT HINGE                  | 1       | 48R04             |           |                     |            |  |  |
| 11  | UPPER LEFT HINGE                   | 1       | 48R05             |           |                     |            |  |  |
| 12  | TOP BOARD                          | 1       | N/A               |           | N/A                 |            |  |  |
| 13  | FIXER FOR CUTTING BOARD            | 2       | P106              |           |                     |            |  |  |
| 14  | CUTTING BOARD                      | 1       | S204              | M201      |                     |            |  |  |
| 15  | BACK COVER                         | 1       | S205XX            | M202      | N/A                 |            |  |  |
| 16  | LID                                | 1       | S206              | M203      | 5304486501          | 5304486533 |  |  |
| 17  | DOWEL                              | 2       | S106              |           |                     |            |  |  |
| 18  | PLASTIC BOLT                       | 2       |                   |           |                     |            |  |  |
| 19  | NUT                                | 2       |                   |           |                     |            |  |  |
| 20  | SPLIT PIN                          | 2       |                   |           |                     |            |  |  |
| 21  | AIR DUCT SUPPORT                   | 4       | S107              |           |                     |            |  |  |
| 22  | EVAPORATOR COVER                   | 1       | S207              | M204      | 5304486502          | 5304486536 |  |  |
| 23  | AIR RETURN COVER                   | 1       | S208              | M205      |                     |            |  |  |
| 24  | INNER DRAIN PAN                    | 1       | S209              |           | 5304486503          |            |  |  |
| 25  | EVAPORATOR                         | 1       | S210              |           | 5304486504          |            |  |  |
| 26  | FAN MOTOR INSTALLATION PANEL       | 1       | S211              | M206      | 5304486515          | 5304486515 |  |  |
| 27  | LEFT CLAPBOARD OF EVAPORATOR       | 1       | S212              | M207      |                     |            |  |  |
| 28  | RIGHT CLAPBOARD OF EVAPORATOR      | 1       | S213              | M208      |                     |            |  |  |
| 29  | EVAPORATOR FAN MOTOR               | 2&3     | CFD1RR-23         |           | 5304486512          |            |  |  |
| 30  | STAND OFF BRACKET                  | 2       | 27R10             |           |                     |            |  |  |
| 31  | THERMOSTAT INSTALLATION            | 1       | 27R09             |           |                     |            |  |  |
| 32  | THERMOSTAT                         | 1       | CFD1RR-24         |           | 5304486371          |            |  |  |
| 33  | POWER SWITCH                       | 1       | CFD1RR-25         |           |                     |            |  |  |
| 34  | PAN BRACKET-25mm                   | 5&6     | S219              | M109      |                     |            |  |  |
| 35  | CASTOR SUPPORT                     | 1       | S214              |           |                     |            |  |  |
| 36  | 4" CASTOR WITH BRAKE               | 2       | CFD1RR-32         |           | 5304486088          |            |  |  |
| 37  | 4" CASTOR                          | 2       | CFD1RR-33         |           | 5304486088          |            |  |  |
| 38  | INSTALLATION BOARD SUPPORT         | 1       | S215              |           |                     |            |  |  |
| 39  | COMPRESSOR UNIT TRACK              | 2       | 27R11             |           | 5304486525          |            |  |  |
| 40  | COMPRESSOR UNIT INSTALLATION BOARD | 1       | 48R10             |           | 5304486523          |            |  |  |
| 41  | CONDENSER                          | 1       | S216              |           | 5304486520          |            |  |  |
| 42  | CONDENSER FAN MOTOR                | 1       | CFD2RR-41         |           | 5304486507          |            |  |  |
| 43  | CONDENSER FAN MOTOR BLADE          | 1       | 27F02             |           | 5304486510          |            |  |  |

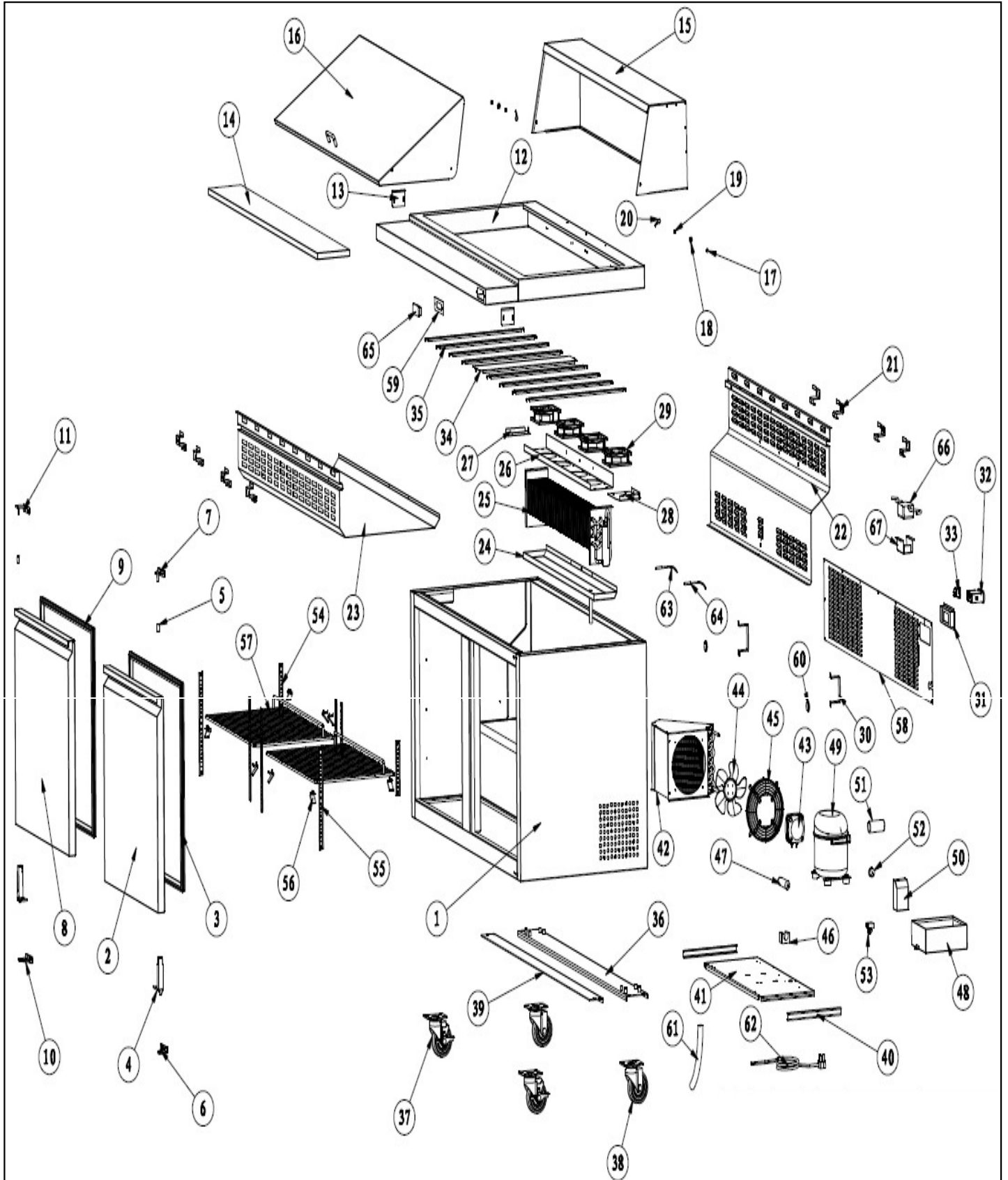
|    |  |     |           |            |  |
|----|--|-----|-----------|------------|--|
| 44 | CONDENSER FAN COVER                              | 1   | 25833     | 5304486506 |  |
| 45 | FILTER FIXER                                     | 1   | CFD1RR-44 |            |  |
| 46 | FILTER   | 1   | 25834     | 5304486505 |  |
| 47 | OUTER DRAIN PAN                                  | 1   | 48R11     | 5304486517 |  |
| 48 | COMPRESSOR                                       | 1   | 64835     | 5304486509 |  |
| 49 | SPLICE BOX                                       | 1   | 64836     |            |  |
| 50 | START CAPACITOR                                  | 1   |           |            |  |
| 51 | OVERLOAD PROTECTOR                               | 1   |           |            |  |
| 52 | STARTER  | 1   |           |            |  |
| 53 | K STRIP-2 HOLES                                  | 4   | 27R20     | 5304486496 |  |
| 54 | K STRIP-3 HOLES                                  | 4   | 27R19     | 5304486497 |  |
| 55 | K CLIP   | 8   | 25819     | 5304486366 |  |
| 56 | SHELF  | 2   | 48R14     | 5304486498 |  |
| 57 | BACK GRILL                                       | 1   | S217      | 5304486500 |  |
| 58 | FAHRENHEIT TEMP<br>DISPLAY INSTALLATION<br>BOARD | 1   | 27R25     |            |  |
| 59 | FOAMING HOLE COVER                               | 2   | CFD1RR-35 |            |  |
| 60 | DRAIN TUBE(φ16mm)                                | 1   | P135      |            |  |
| 61 | POWER CORD                                       | 1   | 25829     |            |  |
| 62 | TEMPERATURE SENSOR 1<br>(THERMOSTAT)             | 1   | CFD1RR-48 |            |  |
| 63 | TEMPERATURE SENSOR 2<br>(FAHRENHEIT TEMP DISP)   | 1   | 27R26     |            |  |
| 64 | FAHRENHEIT TEMP DISPLAY                          | 1   | 25812     |            |  |
| 65 | TRANSFORMER FOR<br>FAHRENHEIT TEMP               | 1   | 25807     |            |  |
| 66 | TRANSFORMER HOLDER                               | 1   | 27R29     |            |  |
| 67 | PAN BRACKET-15/90mm                              | 2&1 | S218      | M209       |  |
| 68 | THERMOMETER                                      | 1   | S120      |            |  |



# KCST60.16/738018



# KCMT60.24/738022

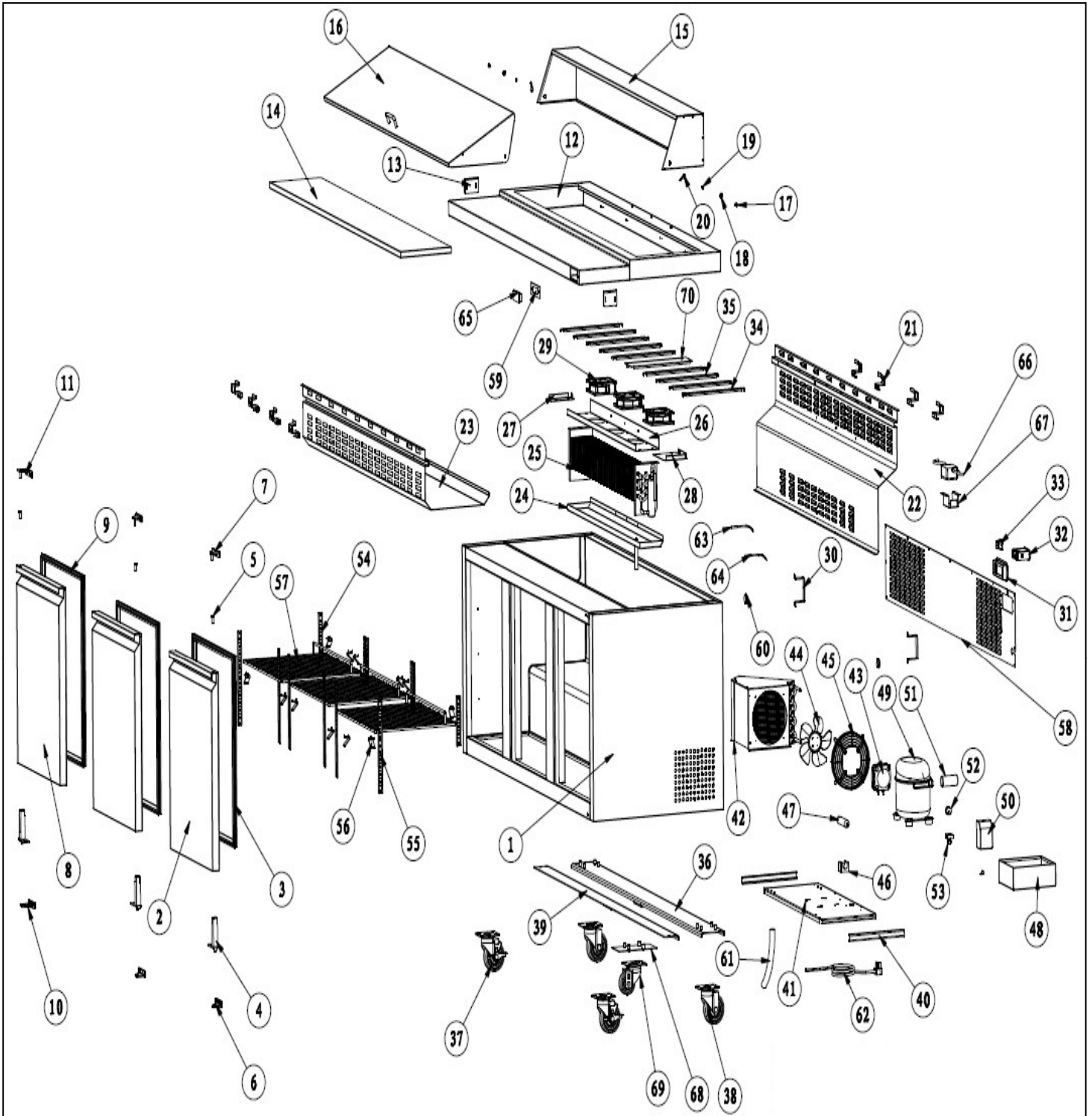


# KCST60.16/738018 KCMT60.24/738022 PARTS LIST

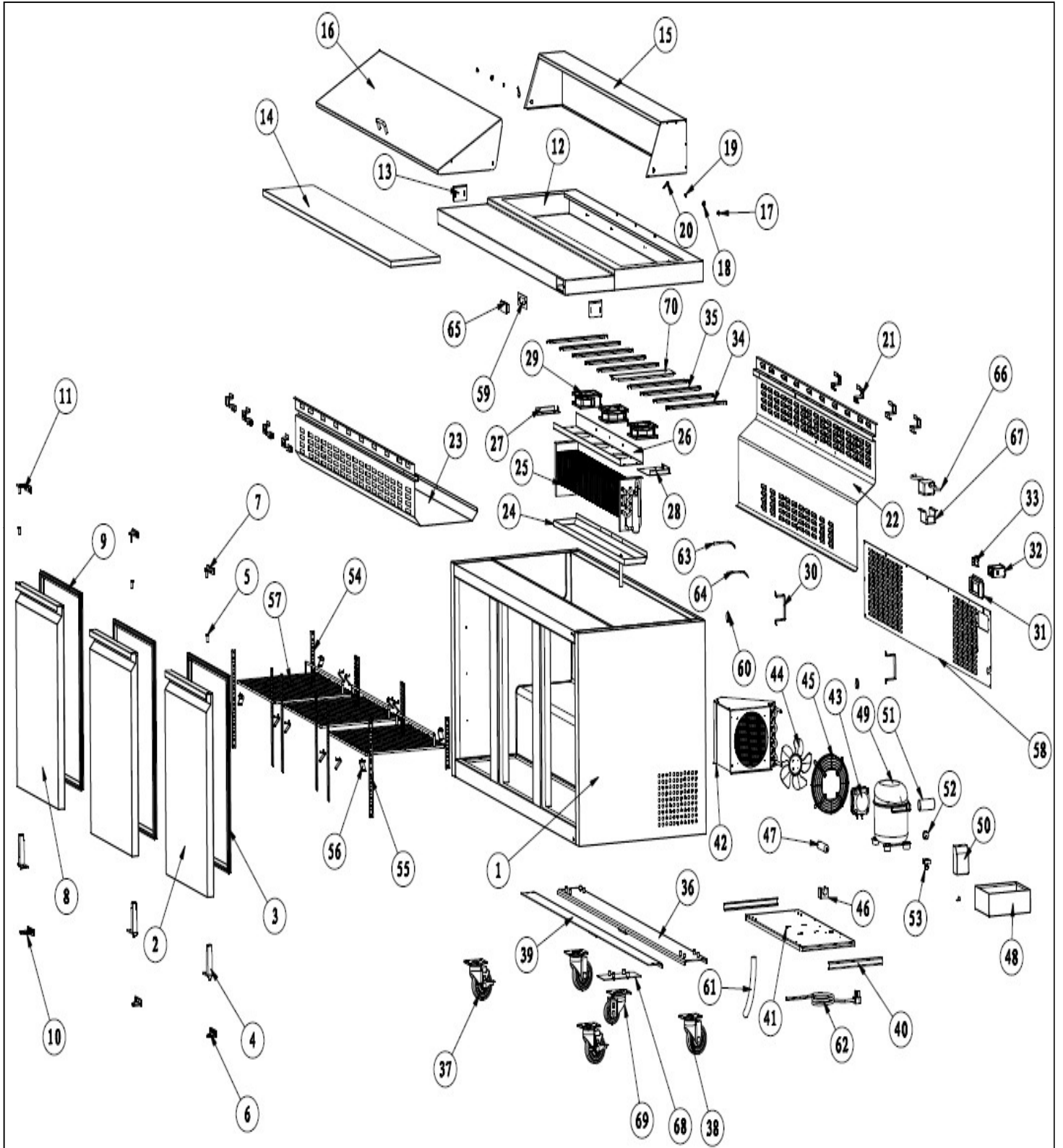
| NO. | Part English Name                     | Amounts | Factory Parts NO. |          | ELECTROLUX PART NO |          |  |  |
|-----|---------------------------------------|---------|-------------------|----------|--------------------|----------|--|--|
|     |                                       |         | SCL2-60           | SCLM2-60 | SCL2-60            | SCLM2-60 |  |  |
| 1   | CABINET                               | 1       | N/A               |          | N/A                |          |  |  |
| 2   | RIGHT DOOR                            | 1       | S601              |          |                    |          |  |  |
| 3   | GASKET                                | 2       | S602              |          |                    |          |  |  |
| 4   | SPRING HINGE                          | 2       | CFD1RR-06         |          |                    |          |  |  |
| 5   | HINGE AXIS COVER                      | 4       | 27R03             |          |                    |          |  |  |
| 6   | BOTTOM RIGHT HINGE                    | 1       | 27R04             |          |                    |          |  |  |
| 7   | UPPER RIGHT HINGE                     | 1       | 27R05             |          |                    |          |  |  |
| 8   | LEFT DOOR                             | 1       | S603              |          |                    |          |  |  |
| 9   | GASKET                                | 2       | S602              |          |                    |          |  |  |
| 10  | BOTTOM LEFT HINGE                     | 1       | 48R04             |          |                    |          |  |  |
| 11  | UPPER LEFT HINGE                      | 1       | 48R05             |          |                    |          |  |  |
| 12  | TOP BOARD                             | 1       | N/A               |          | N/A                |          |  |  |
| 13  | FIXER FOR CUTTING BOARD               | 2       | P106              |          |                    |          |  |  |
| 14  | CUTTING BOARD                         | 1       | S604              | M601     |                    |          |  |  |
| 15  | BACK COVER                            | 1       | S605              | M602     |                    |          |  |  |
| 16  | LID                                   | 1       | S606              | M603     |                    |          |  |  |
| 17  | DOWEL                                 | 2       | S106              |          |                    |          |  |  |
| 18  | PLASTIC BOLT                          | 2       |                   |          |                    |          |  |  |
| 19  | NUT                                   | 2       |                   |          |                    |          |  |  |
| 20  | SPLIT PIN                             | 2       |                   |          |                    |          |  |  |
| 21  | AIR DUCT SUPPORT                      | 8       | S107              |          |                    |          |  |  |
| 22  | EVAPORATOR COVER                      | 1       | S607              | M604     |                    |          |  |  |
| 23  | AIR RETURN COVER                      | 1       | S608              | M605     |                    |          |  |  |
| 24  | INNER DRAIN PAN                       | 1       | S609              |          |                    |          |  |  |
| 25  | EVAPORATOR                            | 1       | S610              |          |                    |          |  |  |
| 26  | FAN MOTOR<br>INSTALLATION             | 1       | S611              | M606     |                    |          |  |  |
| 27  | LEFT CLAPBOARD OF<br>EVAPORATOR       | 1       | S612              | M607     |                    |          |  |  |
| 28  | RIGHT CLAPBOARD OF<br>EVAPORATOR      | 1       | S613              | M608     |                    |          |  |  |
| 29  | EVAPORATOR FAN MOTOR                  | 3&4     | CFD1RR-23         |          |                    |          |  |  |
| 30  | STAND OFF BRACKET                     | 2       | 27R10             |          |                    |          |  |  |
| 31  | THERMOSTAT<br>INSTALLATION            | 1       | 27R09             |          |                    |          |  |  |
| 32  | THERMOSTAT                            | 1       | CFD1RR-24         |          |                    |          |  |  |
| 33  | POWER SWITCH                          | 1       | CFD1RR-25         |          |                    |          |  |  |
| 34  | PAN BRACKET-15/108mm                  | 2&1     | S218              | M110     |                    | N/A      |  |  |
| 35  | PAN BRACKET-25mm                      | 7&8     | S219              | M109     |                    |          |  |  |
| 36  | CASTOR SUPPORT                        | 1       | S614              |          |                    |          |  |  |
| 37  | 4" CASTOR WITH BRAKE                  | 2       | CFD1RR-32         |          |                    |          |  |  |
| 38  | 4" CASTOR                             | 2       | CFD1RR-33         |          |                    |          |  |  |
| 39  | INSTALLATION BOARD<br>SUPPORT         | 1       | S615              |          |                    |          |  |  |
| 40  | COMPRESSOR UNIT TRACK                 | 2       | 27R11             |          |                    |          |  |  |
| 41  | COMPRESSOR UNIT<br>INSTALLATION BOARD | 1       | 48R10             |          |                    |          |  |  |
| 42  | CONDENSER                             | 1       | S216              |          |                    |          |  |  |
| 43  | CONDENSER FAN MOTOR                   | 1       | CFD2RR-41         |          |                    |          |  |  |

|    |  |   |           |  |  |
|----|--|---|-----------|--|--|
| 44 | CONDENSER FAN MOTOR<br>BLADE                   | 1 | 27F02     |  |  |
| 45 | CONDENSER FAN MOTOR<br>COVER                   | 1 | 25833     |  |  |
| 46 | FILTER FIXER                                   | 1 | CFD1RR-44 |  |  |
| 47 | FILTER   | 1 | 25834     |  |  |
| 48 | OUTER DRAIN PAN                                | 1 | 48R11     |  |  |
| 49 | COMPRESSOR                                     | 1 | 64835     |  |  |
| 50 | SPLICE BOX                                     | 1 | 64836     |  |  |
| 51 | START CAPACITOR                                | 1 |           |  |  |
| 52 | OVERLOAD PROTECTOR                             | 1 |           |  |  |
| 53 | STARTER  | 1 |           |  |  |
| 54 | K STRIP-2 HOLES                                | 4 | 27R20     |  |  |
| 55 | K STRIP-3 HOLES                                | 4 | 27R19     |  |  |
| 56 | K CLIP   | 8 | 25819     |  |  |
| 57 | SHELF  | 2 | S616      |  |  |
| 58 | BACK GRILL                                     | 1 | S617      |  |  |
| 59 | FAHRENHEIT TEMP<br>DISPLAY                     | 1 | 27R27     |  |  |
| 60 | FOAMING HOLE COVER                             | 2 | CFD1RR-35 |  |  |
| 61 | DRAIN TUBE(16mm)                               | 1 | P135      |  |  |
| 62 | POWER CORD                                     | 1 | 25829     |  |  |
| 63 | TEMPERATURE SENSOR 1<br>(THERMOSTAT)           | 1 | CFD1RR-48 |  |  |
| 64 | TEMPERATURE SENSOR 2<br>(FAHRENHEIT TEMP DISP) | 1 | 27R26     |  |  |
| 65 | FAHRENHEIT TEMP DISPLA                         | 1 | 25812     |  |  |
| 66 | TRANSFORMER FOR<br>FAHRENHEIT TEMP             | 1 | 25807     |  |  |
| 67 | TRANSFORMER HOLDER                             | 1 | 27R29     |  |  |
| 68 | THERMOMETER                                    | 1 | S120      |  |  |

# KCST70.18/738019



# KCMT70.30/738023



## KCST70.16/738019 KCMT70.24/SCLM3 PARTS LIST

| NO.  | Part English Name                  | Amounts | Factory Parts NO. |           | ELECTROLUX PART NO.(OLD) |           | KCST 70.18 | KCMT 70.27 |
|------|------------------------------------|---------|-------------------|-----------|--------------------------|-----------|------------|------------|
|      |                                    |         | KCST70.16         | KCMT70.27 | KCST70.16                | KCMT70.27 |            |            |
| 1    | CABINET                            | 1       | N/A               |           | N/A                      |           |            |            |
| 2    | RIGHT DOOR                         | 1       | S301/S201         |           | 5304486566               |           |            |            |
| 3    | GASKET                             | 2       | S302/S202         |           | 5304486567               |           |            |            |
| 4    | SPRING HINGE                       | 2       | CFD1RR-06         |           | 5304486388               |           |            |            |
| 5    | HINGE AXIS COVER                   | 4       | 27R03             |           |                          |           |            |            |
| 6    | BOTTOM RIGHT HINGE                 | 1       | 27R04             |           |                          |           |            |            |
| 7    | UPPER RIGHT HINGE                  | 1       | 27R05             |           |                          |           |            |            |
| 8    | LEFT DOOR                          | 1       | S303/S203         |           | 5304486566               |           |            |            |
| 9    | GASKET                             | 2       | S302/S202         |           | 5304486567               |           |            |            |
| 10   | BOTTOM LEFT HINGE                  | 1       | 48R04             |           |                          |           |            |            |
| 11   | UPPER LEFT HINGE                   | 1       | 48R05             |           |                          |           |            |            |
| 12   | TOP BOARD                          | 1       | N/A               |           | N/A                      |           |            |            |
| 13   | FIXER FOR CUTTING BOARD            | 2       | P106              |           |                          |           |            |            |
| 14   | CUTTING BOARD                      | 1       | S304              | M301      |                          |           |            |            |
| 15-1 | BACK COVER 1 (BIGGER ONE)          | 1       | S305              | M302      |                          |           |            |            |
| 15-2 | BACK COVER 2(SMALLER ONE)          | 1       | S306              | M303      |                          |           |            |            |
| 16-1 | LID 1 (BIGGER ONE)                 | 1       | S307              | M304      |                          |           |            |            |
| 16-2 | LID 2 (SMALLER ONE)                | 1       | S308              | M305      |                          |           |            |            |
| 17   | DOWEL                              | 4       | S106              |           |                          |           |            |            |
| 18   | PLASTIC BOLT                       | 4       |                   |           |                          |           |            |            |
| 19   | NUT                                | 4       |                   |           |                          |           |            |            |
| 20   | SPLIT PIN                          | 4       |                   |           |                          |           |            |            |
| 21   | AIR DUCT SUPPORT                   | 8       | S107              |           |                          |           |            |            |
| 22   | EVAPORATOR COVER                   | 1       | S309              | M306      | 5304486550               |           |            |            |
| 23   | AIR RETURN COVER                   | 1       | S310              | M307      |                          |           |            |            |
| 24   | INNER DRAIN PAN                    | 1       | S311              |           |                          |           |            |            |
| 25   | EVAPORATOR                         | 1       | S610              |           | 5304486565               |           |            |            |
| 26   | FAN MOTOR INSTALLATION PANEL       | 1       | S611              | M606      | 5304486553               |           |            |            |
| 27   | LEFT CLAPBOARD OF EVAPORATOR       | 1       | S312              | M308      |                          |           |            |            |
| 28   | RIGHT CLAPBOARD OF EVAPORATOR      | 1       | S313              | M309      |                          |           |            |            |
| 29   | EVAPORATOR FAN MOTOR               | 3&4     | CFD1RR-23         |           | 5304486551               |           |            |            |
| 30   | STAND OFF BRACKET                  | 2       | 27R10             |           |                          |           |            |            |
| 31   | THERMOSTAT INSTALLATION BOX        | 1       | 27R09             |           |                          |           |            |            |
| 32   | THERMOSTAT                         | 1       | CFD1RR-24         |           | 5304486371               |           |            |            |
| 33   | POWER SWITCH                       | 1       | CFD1RR-25         |           |                          |           |            |            |
| 34   | PAN BRACKET-15mm                   | 2       | S218              | N/A       |                          | N/A       |            |            |
| 35   | PAN BRACKET-25mm                   | 7&11    | S219              | M109      |                          |           |            |            |
| 36   | CASTOR SUPPORT                     | 1       | S314              |           |                          |           |            |            |
| 37   | 4" CASTOR WITH BRAKE               | 2       | CFD1RR-32         |           | 5304486088               |           |            |            |
| 38   | 4" CASTOR                          | 2       | CFD1RR-33         |           | 5304486088               |           |            |            |
| 39   | INSTALLATION BOARD SUPPORT         | 1       | S315              |           |                          |           |            |            |
| 40   | COMPRESSOR UNIT TRACK              | 2       | 27R11             |           | 5304486563               |           |            |            |
| 41   | COMPRESSOR UNIT INSTALLATION BOARD | 1       | 48R10             |           | 5304486562               |           |            |            |
| 42   | CONDENSER                          | 1       | S216              |           | 5304486560               |           |            |            |

|    |  |    |              |            |     |  |
|----|--|----|--------------|------------|-----|--|
| 43 | CONDENSER FAN MOTOR                            | 1  | CFD2RR-41    | 5304486557 |     |  |
| 44 | CONDENSER FAN MOTOR<br>BLADE                   | 1  | 27F02        | 5304486558 |     |  |
| 45 | CONDENSER FAN COVER                            | 1  | 25833        | 5304486556 |     |  |
| 46 | FILTER FIXER                                   | 1  | CFD1RR-44    |            |     |  |
| 47 | FILTER   | 1  | CFD1RR-45    | 5304486561 |     |  |
| 48 | OUTER DRAIN PAN                                | 1  | 48R11        | 5304486559 |     |  |
| 49 | COMPRESSOR                                     | 1  | CFD2RR-47    | 5304486555 |     |  |
| 50 | SPLICE BOX                                     | 1  | CFD2RR-47-01 |            |     |  |
| 51 | START CAPACITOR                                | 1  |              |            |     |  |
| 52 | OVERLOAD PROTECTOR                             | 1  |              |            |     |  |
| 53 | STARTER  | 1  |              |            |     |  |
| 54 | K STRIP-2 HOLES                                | 6  | 27R20        | 5304486367 |     |  |
| 55 | K STRIP-3 HOLES                                | 6  | 27R19        | 5304486367 |     |  |
| 56 | K CLIP   | 12 | 25819        | 5304486366 |     |  |
| 57 | SHELF  | 3  | S316         | 5304486545 |     |  |
| 58 | BACK GRILL                                     | 1  | S317         | 5304486546 |     |  |
| 59 | FAHRENHEIT TEMP DISPLAY<br>INSTALLATION BOARD  | 1  | 27R27        |            |     |  |
| 60 | FOAMING HOLE COVER                             | 2  | CFD1RR-35    |            |     |  |
| 61 | DRAIN TUBE(16mm)                               | 1  | P135         |            |     |  |
| 62 | POWER CORD                                     | 1  | 25829        |            |     |  |
| 63 | TEMPERATURE SENSOR 1<br>(THERMOSTAT)           | 1  | CFD1RR-48    |            |     |  |
| 64 | TEMPERATURE SENSOR 2<br>(FAHRENHEIT TEMP DISP) | 1  | 27R26        |            |     |  |
| 65 | FAHRENHEIT TEMP DISPLAY                        | 1  | 25812        |            |     |  |
| 66 | TRANSFORMER FOR<br>FAHRENHEIT TEMP DISPLAY     | 1  | 25807        |            |     |  |
| 67 | TRANSFORMER HOLDER                             | 1  | 27R29        |            |     |  |
| 68 | MIDDLE SMALL CASTER<br>SUPPORT                 | 1  | S318         |            |     |  |
| 69 | MIDDLE SMALL CASTER<br>(BASEPLATE, WITHOUT     | 1  | S319         |            |     |  |
| 70 | PAN BRACKET-90mm                               | 1  | S320         | N/A        | N/A |  |
| 71 | TOP BOARD PLATE                                | 1  | S321         | M310       |     |  |
| 72 | WINDSHIELD STRIP                               | 1  | S322         | M311       |     |  |